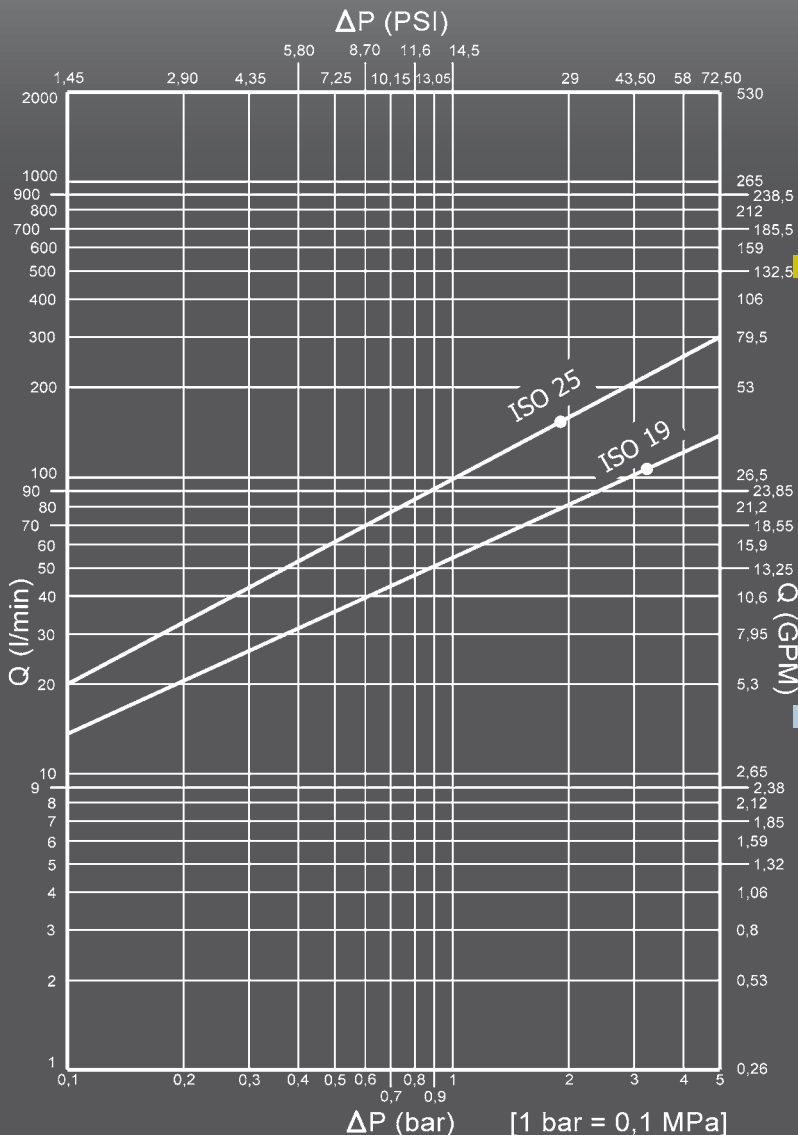


Nominal size				Max working pressure	Rated flow	Max flow rate	Min burst pressure			Fluid spillage
							Male	Female	Coupled	
DNP	BG	ISO	mm	MPa	l/min	l/min	MPa	MPa	MPa	cc
20	4	19	16,2	35	120	240	100	100	130	10
25	5	25	18,6	30	160	320	100	100	100	15



SCREW

VITE/MERCATO EUROPEO
SCREW COUPLINGS/EU MARKET
SCHRAUBKUPPLUNGEN/EU MARKT
COUPLEURS A VISSER/MARCHE EUROPEEN

Caratteristiche tecniche

- Intercambiabilità: Faster CVE
- Occlusione: valvola
- Aggancio: a vite
- Materiale: acciaio
- Finitura: Zn-Fe (Cr III)
- Filettature: BSP
- Guarnizioni standard: NBR
- Temperatura d'esercizio: -25 °C +100 °C
- Guarnizioni opzionali: FKM, EPDM o altro
- Pressioni di esercizio: 300-350 bar
- Connessione in pressione: non consigliata

Technical data

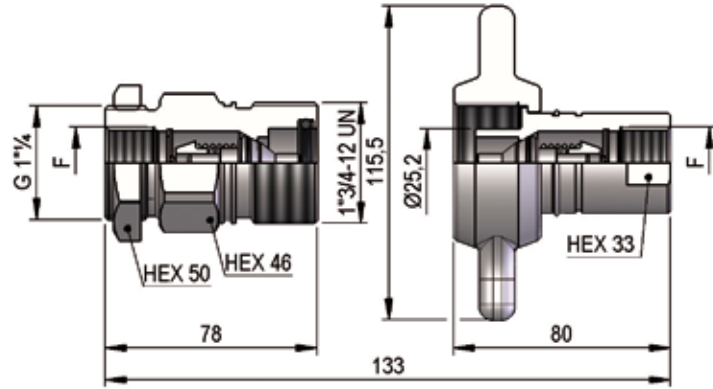
- Interchange: Faster CVE
- Occlusion: poppet
- Locking: screw
- Material: steel
- Finishing: Zn-Fe (Cr III)
- Threads: BSP
- Standard seals: NBR
- Working temperature: -25 °C +100 °C
- Optional seals: FKM, EPDM or more
- Working pressure: 300-350 bar
- Connection under pressure: not suggested

Technische Merkmale

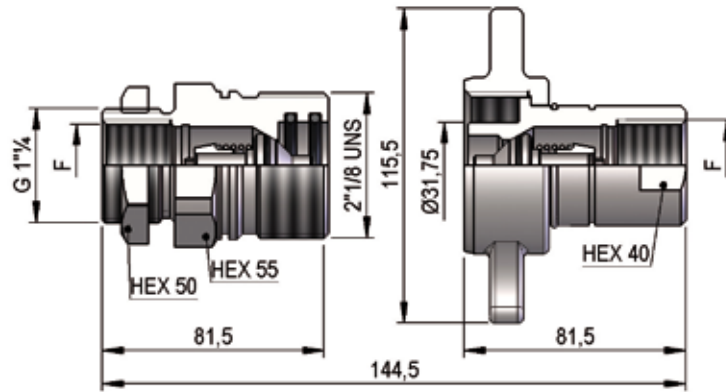
- Austauschbarkeit: Faster CVE
- Verschluss: ventil
- Kupplung: Schraubweise
- Werkstoff: Stahl
- Ausführung: Zn-Fe (Cr III)
- Gewinde: BSP
- Standard-Dichtungen: NBR
- Betriebstemperatur: -25 °C +100 °C
- Dichtungen nach Wahl: FKM, EPDM, usw.
- Betriebsdruck: 300-350 bar
- Kuppeln unter Druck: nicht empfohlen

Caracteristiques techniques

- Intercambiabilité: Faster CVE
- Obturation: clapet
- Accrochage: a vissé
- Matériel: acier
- Traitement: Zn-Fe (Cr III)
- Taraudage: BSP
- Joints standard: NBR
- Température de service: -25 °C +100 °C
- Joints facultatifs: FKM, EPDM, ect.
- Pression de service: 300-350 bar
- Connexion sous pression: non conseillée

PVE1 DN20 - BG 4 - ISO 19


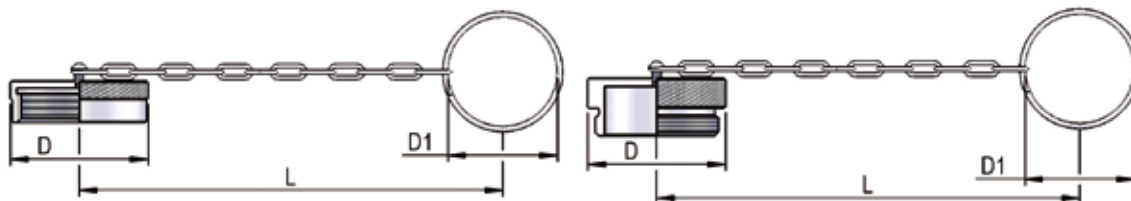
F	STANDARD	FEMMINA - FEMALE - MUFFE - FEMELLE			MASCHIO - MALE - STECKER - MALE		
		COD. F	Weight (g)	Packaging (pcs.)	COD. M	Weight (g)	Packaging (pcs.)
BSP 3/4"	DIN 3852-2-X	PVE1.2019.002	704	20	PVE1.2019.003	755	15

PVE1 DN25 - BG 5 - ISO 25


F	STANDARD	FEMMINA - FEMALE - MUFFE - FEMELLE			MASCHIO - MALE - STECKER - MALE		
		COD. F	Weight (g)	Packaging (pcs.)	COD. M	Weight (g)	Packaging (pcs.)
BSP 1"	DIN 3852-2-X	PVE1.2525.002	915	18	PVE1.2525.003	874	12

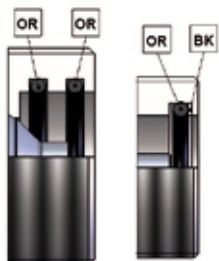
METAL CAPS

NOMINAL SIZE			FEMALE DUST PLUG					MALE DUST CAP					MATERIAL
DNP	BG	ISO	COD. F	Dimensions			Weight (g)	COD. M	Dimensions			Weight (g)	
				D	L	D1			D	L	D1		
20	4	19	SPVE.20202	49,5	270	49	103	SPVE.20203	49	270	41	168	Steel with chain
25	5	25	SPVE.25202	59,5	270	49	132	SPVE.25203	59,5	270	49	217	Steel with chain



SPARE PARTS

NOMINAL SIZE			FEMALE GASKET	
DNP	BG	ISO	OR (NBR*)	BK (PTFE)
20	4	19	PVE.019.120	PVE.019.130
25	5	25	PDV.025.120 (2)	-



* AL CODICE DELLA GUARNIZIONE IN NBR AGGIUNGERE 'E' PER EPDM O 'V' PER VITON
 TO THE NBR GASKET CODE ADD 'E' FOR EPDM OR 'V' FOR VITON
 ZU DER ARTIKELNR. DER NBR DICHTUNG GEBEN SIE 'E' FUER EPDM ODER 'V' FUER VITON AN
 AU CODE DU JOINT EN NBR JOINDRE 'E' POUR EPDM OU 'V' POUR VITON